



ATEC[®] Breast Biopsy
and Excision System
A Compassionate Solution for All Patients

HOLOGIC[®]
The Women's Health Company

Patient Focused, Physician Inspired



Fast

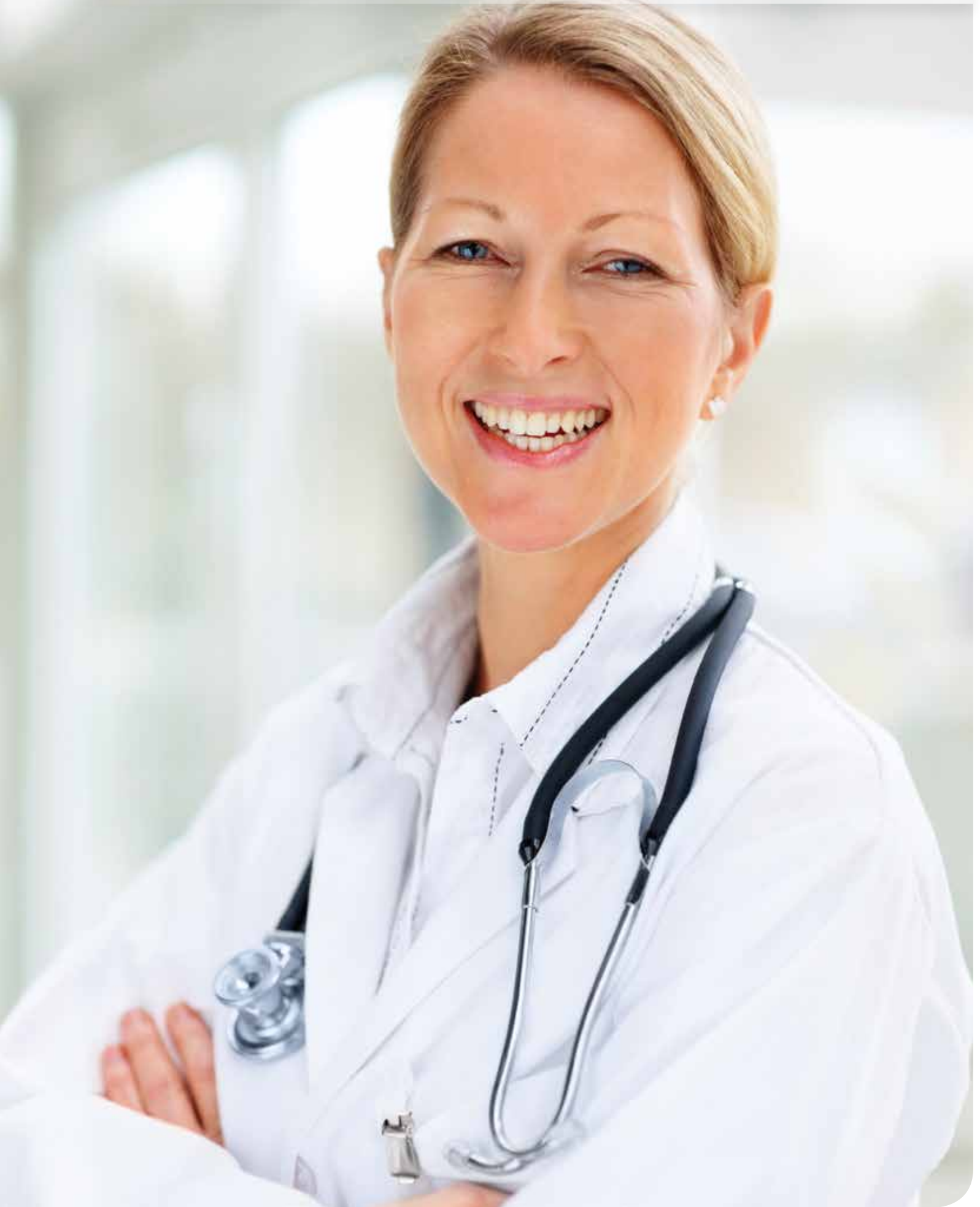
- Specimen acquisition occurs every 4.5 seconds.*
- Easily delivers local anesthetic without interruption.
- Combination of saline lavage and constant aspiration helps ensure a core with every cycle.

Safe

- Fully closed system reduces contamination risk.
- Fully disposable device and tubing minimizes staff and patient exposure to biohazard.
- Multiple needle options for diagnostic tissue sampling to address a wide spectrum of patients.

Simple

- One user-friendly console for every modality.
- No software to program or operate console.
- Simple one minute set-up and clean-up.



Stereotactic-Guided Breast Biopsy

Hologic's ATEC® breast biopsy device coupled with our best-in-class prone and upright stereotactic X-ray systems offers customers a quick, compassionate procedure with accurate clinical results.

We deliver a complete breast biopsy solution for use under stereotactic X-ray guidance to our customers. To address a broad spectrum of patients, we offer a vacuum-assisted breast biopsy system with a wide variety of needle choices with integrated pain management, and our biopsy site markers provide accurate delivery to the biopsy site. Using the Hologic biopsy solution, specimen acquisition occurs every 4.5 seconds.*



ATEC device on MultiCare® Platinum stereotactic breast biopsy guidance system



ATEC device on Affirm™ breast biopsy guidance system



ATEC device on Selenia® digital mammography system with upright StereoLoc® II breast biopsy guidance system

*Data on file with Hologic.

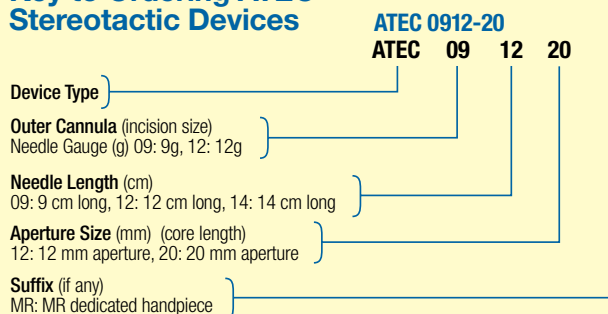
Prone Stereotactic X-ray Breast Biopsy Guidance System Compatibility

HOLOGIC MULTICARE® PLATINUM STEREOTACTIC BREAST BIOPSY GUIDANCE SYSTEM		
Hologic Needles 0912-20 1212-20 0912-12*	Adapters ATEC STX-1 ATEC STX-2	Needle Guides / Tissue Filter Adapter ATEC NG09L ATEC NG12L ATEC RTFA
SIEMENS & FISCHER MAMMOTEST		
Hologic Needles 0909-20 1209-20 0909-12*	Adapters ATEC STX-Fischer ATEC STX-2F	Needle Guides / Tissue Filter Adapter ATEC NG09F ATEC NG12F ATEC RTFA
SIEMENS & FISCHER MAMMOTEST LATERAL ARM APPROACH		
Hologic Needles 0914-20	Adapters ATEC STX-2	Needle Guides / Tissue Filter Adapter ATEC NG09F ATEC RTFA

Upright Stereotactic X-ray Breast Biopsy Guidance System Compatibility

HOLOGIC STEREOLOC® II BREAST BIOPSY GUIDANCE SYSTEM			GE SENOGAPHE DS® AND GE SENOGAPHE® ESSENTIAL VERTICAL APPROACH		
Hologic Needles 0912-20 1212-20 0912-12*	Adapters ATEC STX-2	Needle Guides / Tissue Filter Adapter ATEC NG09L ATEC NG12L ATEC RTFA	Hologic Needles 0912-20 1212-20 0912-12*	Adapters	Needle Guides / Tissue Filter Adapter ATEC NG09F ATEC NG12F ATEC RTFA
HOLOGIC AFFIRM™ BREAST BIOPSY GUIDANCE SYSTEM			GE SENOGAPHE DS® AND GE SENOGAPHE® ESSENTIAL LATERAL ARM APPROACH		
Hologic Needles 0909-20 0912-20 0914-20 1209-20 1212-20 0909-12* 0912-12*	Adapters ATEC STX-2	Needle Guides / Tissue Filter Adapter ATEC NG09L ATEC NG12L ATEC RTFA	Hologic Needles 0914-20	Adapters ATEC STX-2	Needle Guides / Tissue Filter Adapter ATEC NG09F ATEC RTFA
INSTRUMENTARIUM® DELTA 32			SIEMENS® OPDIMA		
Hologic Needles 0914-20	Adapters ATEC STX-2	Needle Guides / Tissue Filter Adapter ATEC NG09F ATEC RTFA	Hologic Needles 0909-20 0912-20 1212-20 0912-12*	Adapters ATEC STX-2	Needle Guides / Tissue Filter Adapter ATEC NG09F ATEC NG12F ATEC RTFA
			GIOTTO BIOPSY DIGIT (S, SL, AM MODELS)		
			Hologic Needles 0909-20 0912-20 0909-12* 0912-12*	Adapters ATEC STX-2	Needle Guides / Tissue Filter Adapter ATEC NG09F ATEC RTFA

Key to Ordering ATEC Stereotactic Devices



*ATEC petite needle options designed for thin breasts work with a minimum compression of 22mm.

Note: Availability may vary by country.

Stereotactic Breast Biopsy Site Markers

Hologic's stereotactic X-ray biopsy site marking solutions provide physicians definition and distinction.

Hologic provides a wide array of biopsy site marking options with a total of four distinct shapes.

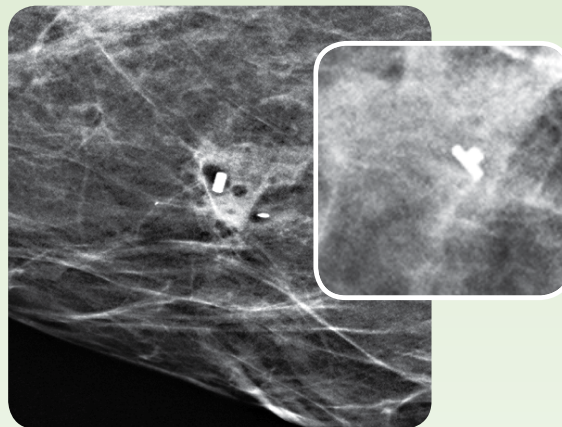
SecurMark® for ATEC breast biopsy site markers

- SecurMark biopsy site markers are comprised of:
 - A bio-absorbable suture-like netting, designed to minimize movement within the biopsy cavity, that surrounds a bio-compatible permanent marker.
 - Two titanium shapes available.
- Features side deployment delivery system with a flexible cannula.

TriMark® for ATEC breast biopsy site markers

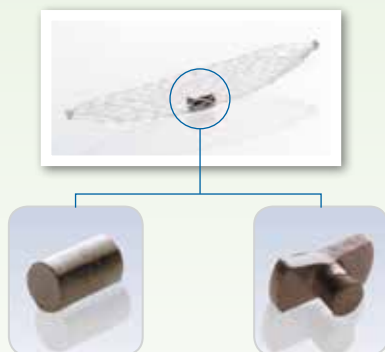
- TriMark biopsy site markers are comprised of bio-compatible permanent titanium.
- Two shapes available.
- Features a rigid side deployment delivery system.

Note: Product availability may vary by country.



SecurMark titanium shape under mammography

Note: Secondary images are side views



SecurMark Biopsy Site Markers



TriMark Biopsy Site Markers

Note: Shapes appear larger than actual size.

Biopsy Site Marker Compatibility

for Stereotactic-Guided Breast Biopsy

Hologic Biopsy Needles

	ATEC 0909-20	ATEC 0909-12	ATEC 1209-20	ATEC 0912-20	ATEC 0912-12	ATEC 1212-20	ATEC 0914-20
Biopsy Site Marker Options	SMark-ATEC-36-09	✓	✓		✓	✓	✓
	SMark-ATEC-2S-36-09	✓	✓		✓	✓	✓
	SMark-ATEC-36-12			✓			✓
	SMark-ATEC-13-09	✓	✓		✓	✓	✓
	SMark-ATEC-2S-13-09	✓	✓		✓	✓	✓
	SMark-ATEC-13-12			✓			✓
	SMark-ATEC-2S-13-12			✓			✓
	TriMarkTD-3609	✓	✓		✓	✓	✓
	TriMarkTD-2S-3609	✓	✓		✓	✓	✓
	TriMarkTD-3612			✓			✓
	TriMarkTD-2S-3612			✓			✓
	TriMarkTD-1309	✓	✓		✓	✓	
	TriMarkTD-2S-1309	✓	✓		✓	✓	
	TriMarkTD-1312			✓			✓
	TriMarkTD-2S-1312			✓			✓

Ultrasound-Guided Breast Biopsy

Hologic's breast biopsy solutions continue to lead the way in offering physicians a clinically effective and more compassionate alternative to open surgical and spring loaded core biopsies.

The ATEC® vacuum-assisted breast biopsy system has been designed for radiologists and surgeons who find compassionate patient care and confident clinical results essential elements in minimally-invasive breast biopsy.

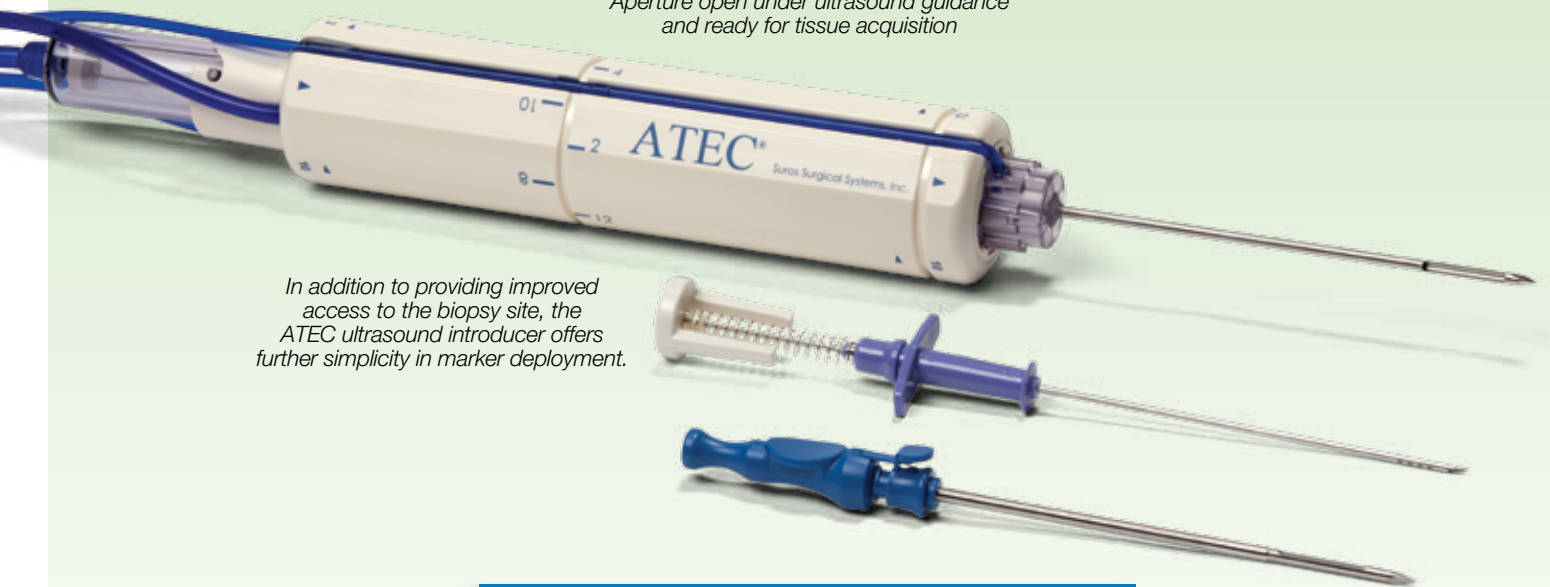
The ATEC system provides the option for additional patient compassion with FDA clearance for partial and complete removal of benign breast tissue.



ATEC breast biopsy and excision system
with the Aixplorer™ Ultrasound system



Aperture open under ultrasound guidance and ready for tissue acquisition

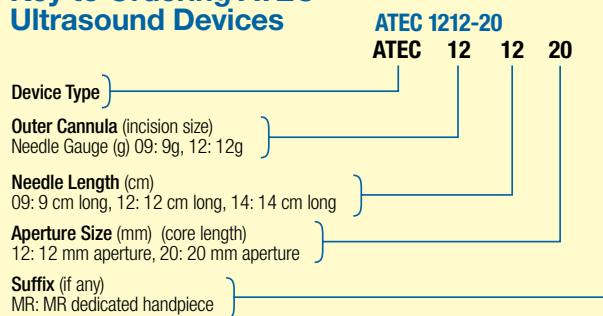


In addition to providing improved access to the biopsy site, the ATEC ultrasound introducer offers further simplicity in marker deployment.

ALL ULTRASOUND SYSTEMS	
Hologic Needles 1212-20 1209-20 0912-20 0909-20	Tissue Filter Adapter ATEC RTFA AI120920 AI121220 AI090920 AI091220

Note: Availability may vary by country

Key to Ordering ATEC Ultrasound Devices



Ultrasound Breast Biopsy Site Markers

Hologic's biopsy site marking solutions for use under ultrasound guidance provide physicians the visual assurance they deserve.

Hologic provides a wide array of biopsy site marking options with a total of four distinct shapes.

SecurMark® for ATEC® breast biopsy site markers

- SecurMark biopsy site markers are comprised of:
 - Ultrasound visible bio-absorbable suture-like netting, designed to minimize movement within the biopsy cavity that surrounds a bio-compatible permanent marker.
 - Two titanium shapes available.
- Features side deployment delivery system with a flexible cannula.

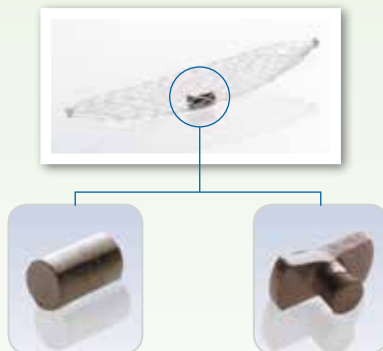
TriMark® for ATEC® breast biopsy site markers

- TriMark biopsy site markers are comprised of bio-compatible permanent titanium.
- Two shapes available.
- Features a rigid side deployment delivery system.

Note: Product availability may vary by country.



SecurMark biopsy site marker under Ultrasound



SecurMark Biopsy Site Markers



TriMark Biopsy Site Markers

Note: Shapes appear larger than actual size.

Biopsy Site Marker Compatibility

for Ultrasound-Guided Breast Biopsy

Hologic Biopsy Needles

	ATEC 0909-20	ATEC 1209-20	ATEC 0912-20	ATEC 1212-20	
Biopsy Site Marker Options	SMark-ATEC-13-09	✓		✓	
	SMark-ATEC-2S-13-09	✓		✓	
	SMark-ATEC-13-12		✓		✓
	SMark-ATEC-2S-13-12		✓		✓
	SMark-Celero*	✓	✓	✓	✓
	SMark-2S-Celero*	✓	✓	✓	✓
	TriMarkTD-1309	✓		✓	
	TriMarkTD-2S-1309	✓		✓	
	TriMarkTD-1312		✓		✓
	TriMarkTD-2S-1312		✓		✓

*Utilizing ATEC introducer or free hand deployment.



ATEC introducer with SecurMark for Celero biopsy site marker deployment device

MRI-Guided Breast Biopsy

Hologic, the pioneer in MRI breast biopsy, has more than 900 facilities worldwide performing MRI breast biopsy with the ATEC device, and is the market leader in breast MRI biopsy procedures.¹ With Hologic, physicians have reduced the typical procedure time to under 40 minutes, greatly improving patient comfort and optimizing costly magnet time.² The teaming of Hologic and Sentinelle now allows physicians an improved solution in early breast cancer detection and accurate intervention.

ATEC MRI is not only Fast, Safe and Simple, but also:

- Clinically proven accurate under MRI guidance¹.
- Supports both Grid and Pillar/Post Targeting Methods.
- 3T magnet compatible.
- MRI access needle allows for the ability to treat thin breasted women.

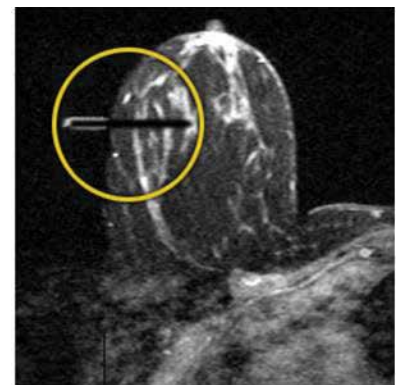
Hologic offers an Introducer Localization Set (ILS), exclusively for use with our MRI devices, that aids in the targeting and biopsy process.



ATEC MRI-guided breast biopsy device with Sentinelle MRI Coil



Introducer Kit for use with ATEC breast biopsy device 0914-20MR



Standard obturator under MRI Guidance



ATEC MRI Access Needle

¹ Data on file with Hologic.

² Schradang S, Simon B, Braun M, Wardelmann E, Schild H, Kuhl C. MRI-Guided Breast Biopsy: Influence of Choice of Vacuum Biopsy System on the Mode of Biopsy of MRI-Only Suspicious Breast Lesions. AJR 2010; 194: 1650-1657.

MRI System Compatibility

SENTINELLE BREAST MRI COIL	
Hologic Needles 0914-20MR 0914-12MR	Introducer Kits / Tissue Filter Adapter ILS 0914-20 ILS 0914-12 ATEC RTFA

INVIVO 7-CHANNEL LUMINESCENCE BREAST COIL	
Hologic Needles 0914-20MR 0914-12MR	Introducer Kits / Tissue Filter Adapter ILS 0914-20 ILS 0914-12 ATEC RTFA

AURORA MRI SYSTEM	
Hologic Needles 0914-20MR 0914-12MR	Introducer Kits / Tissue Filter Adapter ATEC NG09A1 ATEC NG09A2 ILS 0914-20 ILS 0914-12 ATEC RTFA

NORAS 4-CHANNEL OPEN BREAST ARRAY COIL (OBC)	
Hologic Needles 0914-20MR 0914-12MR	Introducer Kits / Tissue Filter Adapter ILS 0914-20 ILS 0914-12 ATEC RTFA

CONFIRMA ACCESS® 4-CHANNEL BREAST COIL	
Hologic Needles 0914-20MR 0914-12MR	Introducer Kits / Tissue Filter Adapter ILS 0914-20 ILS 0914-12 ATEC RTFA

USAI LIBERTY 5000 4-CHANNEL BREAST COIL	
Hologic Needles 0914-20MR 0914-12MR	Introducer Kits / Tissue Filter Adapter ILS 0914-20 ILS 0914-12 ATEC RTFA

INVIVO 4-CHANNEL OPEN BREAST ARRAY COIL (OBC)	
Hologic Needles 0914-20MR 0914-12MR	Introducer Kits / Tissue Filter Adapter ILS 0914-20 ILS 0914-12 ATEC RTFA

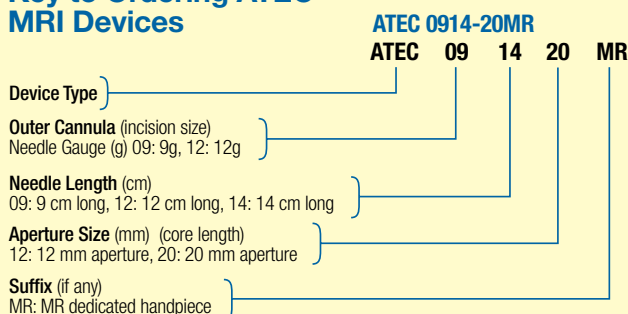
USAI LIBERTY 9000 4-CHANNEL BREAST COIL	
Hologic Needles 0914-20MR 0914-12MR	Introducer Kits / Tissue Filter Adapter ILS 0914-20 ILS 0914-12 ATEC RTFA

INVIVO 7-CHANNEL BREAST BIOPSY ARRAY COIL (BBC)	
Hologic Needles 0914-20MR 0914-12MR	Introducer Kits / Tissue Filter Adapter ILS 0914-20 ILS 0914-12 ATEC RTFA

USAI LIBERTY 9000 8-CHANNEL BREAST COIL	
Hologic Needles 0914-20MR 0914-12MR	Introducer Kits / Tissue Filter Adapter ILS 0914-20 ILS 0914-12 ATEC RTFA

GE 8-CHANNEL BREAST COIL	
Hologic Needles 0914-20MR 0914-12MR	Introducer Kits / Tissue Filter Adapter ILS 0914-20 ILS 0914-12 ATEC RTFA

Key to Ordering ATEC MRI Devices



MRI Biopsy Site Markers

Hologic's MRI biopsy site marking solutions provide physicians the visualization they need.

TriMark® for ATEC® biopsy site markers

- TriMark biopsy site markers are comprised of bio-compatible permanent titanium.
- Two shapes available.
- Features a rigid-end-deploy delivery device for an integrated MRI solution.

Note: Product availability may vary by country.



TriMark Biopsy Site Markers

Note: Shapes appear larger than reality.



TriMark biopsy site marker deployment device for MR

Biopsy Site Marker Compatibility

for MRI-Guided Breast Biopsy



TriMark Titanium under MRI

Hologic Biopsy Needles

	ATEC 0914-20MR	ATEC 0914-12MR
Site Marker Options	TriMarkTD-13MR ✓	TriMarkTD-13MR ✓
	TriMarkTD-2S-13MR ✓	TriMarkTD-2S-13MR ✓

Note: Availability may vary by country.

Emerging Imaging Technologies and the ATEC Breast Biopsy Device

Hologic created a solution for high-risk patients with the development of ATEC® MRI-guided breast biopsy for use under MRI guidance, and now continues their innovation through compatibility with other emerging imaging technologies.



*Hologic partnered with **Naviscan** in 2008 to perform the first breast biopsy procedures utilizing the ATEC system and the Stereo Navigator utilizing Naviscan's PEM imaging technology.*

NAVISCAN STEREO NAVIGATOR®	
Hologic Needles 0914-20MR	Introducer Kits / Tissue Filter Adapter ILS 0914-20 ATEC RTFA

Note: Availability may vary by country.

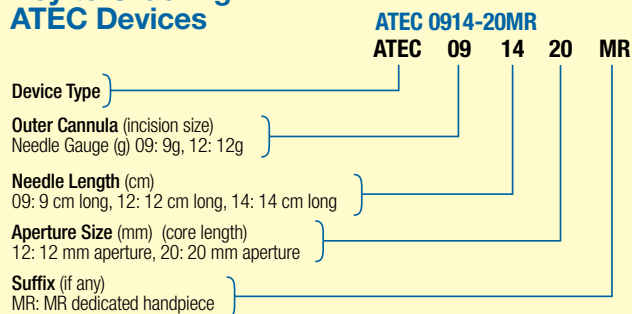


Hologic partnered with **Dilon** in 2009 to perform the first breast biopsy procedures utilizing the ATEC system and the Gammaloc System utilizing Dilon's Breast Specific Gamma Imaging technology.

DILON 6800® GAMMA CAMERA WITH DILON GAMMOLOC® SYSTEM	
Hologic Needles 0914-20MR	Introducer Kits / Tissue Filter Adapter ILS 0914-20 ATEC RTFA

Note: Availability may vary by country.

Key to Ordering ATEC Devices



Redefining Industry Standards

Vision. Innovation. Results.

Hologic is dedicated to advances in medical technologies that contribute to longer, healthier lives for women. We were the first company to bring imaging and intervention together, delivering continuum of care options for screening, diagnosis and treatment. In the field of breast biopsy, we continue to work with physicians to discover and deliver more compassionate and effective solutions for women.

2002	2003	2004	2005	2006
<p>ATEC® system First compassionate, minimally-invasive breast biopsy option utilizing a closed system</p> <p>First ever petite needle Specially designed for use on women with thin breasts</p>	<p>ATEC MRI-guided system First MRI guided breast biopsy system</p>	<p>ATEC MRI-guided system with access needle First MRI biopsy needle with hemispherical tip to increase patient spectrum</p> <p>ATEC Sapphire console First multimodality breast biopsy system for ultrasound, MRI, stereotactic</p>	<p>TriMark® biopsy site markers</p>	<p>Hologic Acquires Suros Surgical Systems</p> <p>TriMark biopsy site markers second shape</p>
2008	2009	2012		
<p>SecurMark® biopsy site markers A complete family of biopsy site markers providing superior visualization</p> <p>ATEC system with Naviscan® PEM imaging First procedures performed in March 2008</p>	<p>ATEC system with the Dillon® BSGI system First procedures performed in December 2009</p>	<p>ATEC Introducer Designed to be used under ultrasound guidance</p>		



Investing in a Healthier Future for Women Around the World

Hologic is a growing global company and a leading provider of healthcare systems for women around the world. We're proud of the difference we've made in women's lives for 25 years and we recognize the responsibility that our leadership position brings.

At Hologic, we're doing more than hoping for a healthier future for women. We're investing the time and money to develop breakthrough technologies and imaging systems that contribute to earlier detection, more accurate diagnoses, and better overall patient care.

Hologic goes beyond delivering advanced detection, intervention, and treatment technologies; we stand behind our systems with strong service and support in healthcare.

We deliver everything from highly trained clinical product support team specialists and technical product support to service dispatch to keep Hologic products up and running. Plus, we support medical professionals with a full curriculum of online and onsite applications training to help them take advantage of the latest technologies, streamline workflow, boost productivity, and improve patient care.



Hologic is defining the standard of care in women's health. Our technologies help doctors see better, know sooner, reach further and touch more lives. At Hologic, we turn passion into action, and action into change.

BREAST IMAGING SOLUTIONS | INTERVENTIONAL BREAST SOLUTIONS | BONE HEALTH
PRENATAL HEALTH | GYNECOLOGIC HEALTH | MOLECULAR DIAGNOSTICS

HOLOGIC[®]

The Women's Health Company

www.hologic.com | info@hologic.com | +1.781.999.7300

North America / Latin America

35 Crosby Drive
Bedford, MA 01730-1401
USA

Europe

Everest (Cross Point)
Leuvensesteenweg 250A
1800 Vilvoorde
Belgium

Asia Pacific

7th Floor, Biotech Centre 2
No. 11 Science Park West Avenue
Hong Kong Science Park
Shatin, New Territories
Hong Kong

Australia

Suite 402, Level 4
2 Lyon Park Road
Macquarie Park NSW 2113
Australia